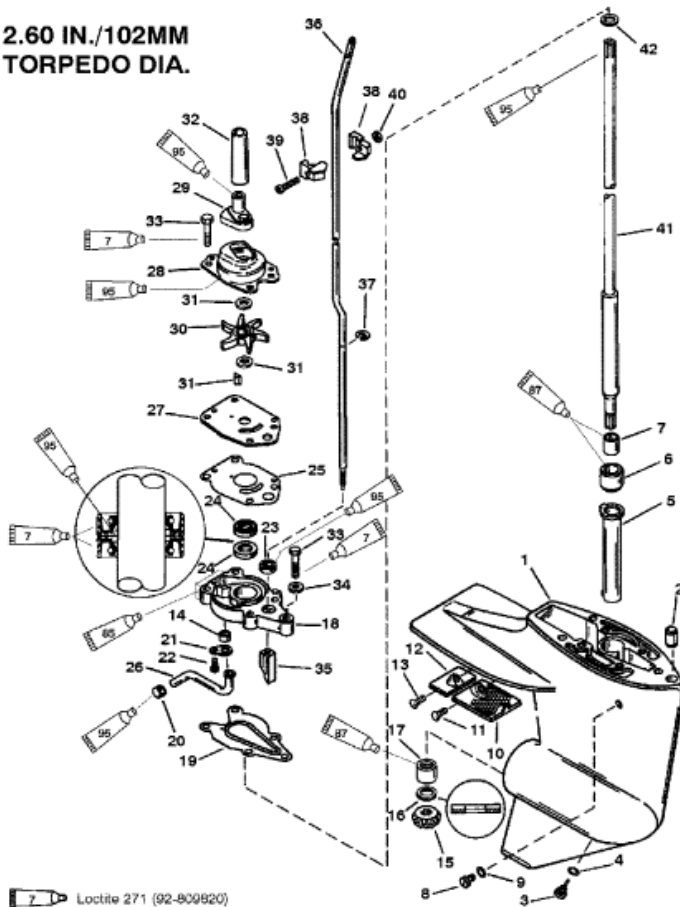


**2.60 IN./102MM
 TORPEDO DIA.**



- Loctite 271 (92-909920)
- RTV Silicone Sealer (92-91601-1)
- Super Duty Gear Lubricant (92-13783A24)
- 2-4-C With Teflon (92-825407A12)

1970R

Parts List

Ref	Class	Part	Description	Qty	Comment	Footnote
-	1666	8833A13	GEAR HOUSING	1	(SHORT) BLACK	
-	1666	8833A15	GEAR HOUSING	1	(LONG) BLACK	
-	1666	8833A14	GEAR HOUSING	1	(SHORT) GRAY	
-	1666	8833A16	GEAR HOUSING	1	(LONG) GRAY	
-	1666	8833A19	GEAR HOUSING-COMPLETE	1	(TRACKER GRAPHITE GRAY)	
1	1666	8833A17	GEAR HOUSING, Basic	1	(BLACK)	
1	1666	8833A18	GEAR HOUSING	1	(GRAY)	
1	1666	8833A20	GEAR HOUSING	1	(TRACKER GRAPHITE GRAY)	
2	23	12009	BUSHING, (.31 x .45 x .50)	1		
3	22	67892A	FITTING KIT, Plug Fill/Drain	1		
4	12	19183	WASHER, Fiber	1		4,5
5		822244A	SLEEVE ASSEMBLY	1		
6	23	823944	SLEEVE	1		
7	23	823943	BUSHING	1		
8	10	79953	SCREW, (.375-16 x .250)	1		
9	12	19183	WASHER, Fiber	1		4,5
10	35	42199	SCREEN	1		
11	10	13954	SCREW, (.250-14 x .88)	2		
12		42121A	ANODE ASSEMBLY	1		
13	10	13954	SCREW, (.250-14 x .88)	1		
14	26	42133	SEAL	1		3,4
15	43	821925	PINION GEAR, (13-26) (13 TEET	1		
16	12	41369	WASHER	1		
17	31	22756	ROLLER BEARING	1		
18	46	42040A	WATER PUMP BASE	1		4,5
19	27	19204	GASKET	1		3,4,5
20	26	33613	SEAL	1		3,4,5
21		42375	RETAINER	1		5
22	10	48408	SCREW, (#10-16 x .500)	1		5
23	25	822236	QUAD RING	1		3,5
24	26	41365	OIL SEAL	2		4,5
25	27	19202	GASKET, Water Pump Plate	1		3,4,5
26	32	42185A	WATER TUBE	1		
27		42200	FACE PLATE	1		5
28	46	42089A	COVER ASSEMBLY	1		5
29	26	42102	SEAL	1		3,4,5
30	47	42038	IMPELLER	1		5
31	28	42376A	KEY ASSEMBLY	1		5
32		44467	GUIDE	1		
33	10	824832	SCREW, (M6 x 30)	5		
34	12	2824E	WASHER, (.281 x .500 x .060)	1		